

# FP1640G TRACTOR

# SHOGUN

# 400



4x2 ■ SHIFTPILOT



**Power / Torque:**  
400ps/2,011Nm



**Wheelbase:**  
3,800mm (G)



**Suspension:**  
Air

- Active Brake Assist 5 **NEW**
- Electronic Stability Control
- Lane Departure Warning

- Adaptive Cruise Control
- Driver Fatigue Monitoring
- Active Side Guard Assist **NEW**

# SHOGUN FP1640G 4x2

## MODEL

4x2 FP1640G 12 SP. SHIFTPILOT AIR SUSP. FP74HGR2VFBA

## WHEELBASE (mm)

3,800 (G)

## GVM (kg)

16,500

## GCM (kg)

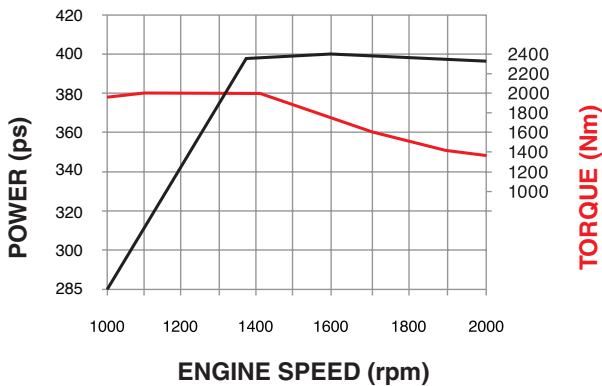
40,000

## ENGINE

|                  |  |
|------------------|--|
| Engine Version   | FUSO OM470 6 Cyl. In-line DOHC                 |
| Displacement     | 11 Litre (10,671cc)                            |
| Power (DIN)*     | 400ps (293kW) @ 1600rpm                        |
| Torque (DIN)*    | 2,011Nm (1484lbft) @ 1100rpm                   |
| Air Cleaner      | Vertical Intake Mounted on Clean Air Side (RH) |
| Emission Control | Selective Catalytic Reduction (SCR + DPF)      |
| Emission Level   | EURO 6 (ADR80/03)                              |

\*Gross Calculated

## OM470 – T2



## FUEL

|                               |  |
|-------------------------------|--|
| Injection System              | X Pulse Common Rail High Pressure Direct Injection |
| Tank                          | 400L Rectangular Alloy Tank + Locking Cap          |
| AdBlue Exhaust Fluid Capacity | 60L Tank + Locking Cap                             |

## ELECTRICAL

|                       |                                      |
|-----------------------|--------------------------------------|
| Voltage               | 24V Negative Ground, 100A Alternator |
| Battery Specification | Heavy Duty 2x12V, 150Ah/20hr         |

## CLUTCH

|      |                                   |
|------|-----------------------------------|
| Type | FUSO Single Plate Fully Automated |
|------|-----------------------------------|

## TRANSMISSION

|               |  |
|---------------|--|
| Version       | FUSO SHIFTPILOT GENERATION 3 Automated Manual G230-12                        |
| Type / Speeds | 12 Speed with Auto + Manual Modes Constant Mesh Non Synchromesh Transmission |

## TRANSMISSION

CONTINUED

|             |  |   |
|-------------|--|---|
| Features    | Standard + Economy Modes:<br>Calibrated for NZ Conditions<br>Driver Activated Kick Down<br>Skip Shift Function for Light Loads<br>Crawler Mode<br>Rock-Free Mode<br>Eco Roll<br>Eco Cruise |   |
| Ratios      | 1st: 11.672<br>2nd: 9.101<br>3rd: 7.055<br>4th: 5.501<br>5th: 4.400<br>6th: 3.430<br>7th: 2.652  | 8th: 2.068<br>9th: 1.603<br>10th: 1.250<br>11th: 1.000<br>12th: 0.779<br>RHigh: 9.101<br>RLow: 11.673 |
| PTO Opening | Rear   |   |

## FRONT AXLE

|                             |   |
|-----------------------------|---|
| Axle Version                | FUSO F900T "I" Beam                               |
| Max Operating Capacity (kg) | 7,100 (Subject to suitable tyres + certification) |

## FRONT SUSPENSION

|           |   |
|-----------|---|
| Type      | Long Taper Leaf + Double Acting Shock Absorbers |
| Size (mm) | 1,650 x 90                                      |

## REAR AXLE

|                             |                   |
|-----------------------------|-------------------|
| Axle                        | R440 Hypoid Drive |
| Max Operating Capacity (kg) | 10,800            |
| Ratio                       | 3.909:1           |

## REAR SUSPENSION

|         |  |
|---------|--|
| Details | Air Trailing Arm + 4 Bag / Axle<br>Height Control (adjustable from steering wheel or remote control) |
|---------|--|

## BRAKES

|                        |   |
|------------------------|---|
| Type                   | Full Air Taper Roller Drum Brakes + Auto Adjust, EBS, ABS, ASR (Traction Control) |
| Size Front / Rear (mm) | 410x160 / 410x200   |
| Park Brake             | Rear Wheels Spring Actuated   |
| Engine Brake           | Jake Brake: Three-Stage including Shift Down Function – Max 335kW (460ps)         |
| Air Compressor         | Two-Stage + ECU Control for Fuel Saving   |
| Air tanks              | Alloy   |

## WHEELS AND TYRES

|                        |  |
|------------------------|--|
| Wheels                 | 6 x Alcoa Alloy 22.5x8.25" ISO 10 Stud |
| Tyre Size Front / Rear | 275/70R22.5                            |



# SHOGUN FP1640G 4x2



## CHASSIS

|   |   |
|---|---|
| Type  | Super Frame, Single Skin, Reinforced Parallel Channel |
| Size / Width (mm)   | 278x90x7.0/840  |
| Refer to the bodybuilders guidelines on the Fuso website ( <a href="http://www.fuso.co.nz">www.fuso.co.nz</a> ) before mounting a body or modifying the chassis |   |

## INSTRUMENTS

|  |   |
|--|---|
| Gauges   | Speedo / Tacho / Air pressure / Fuel level / Ad Blue level  |
| Multi-Information Display accessed from steering wheel buttons | Digital Speedo<br>Advanced Safety Systems Control<br>Water Temperature<br>Fuel Consumption<br>Warning Lamps<br>Service Indicators<br>Hour Meter + Tripmeter<br>Oil Level Check<br>Alarm Clock |
| Steering wheel controls  | Audio / Phone / Cruise Control / Multi-Information Display Menu / Speed Limiter   |

## STANDARD FEATURES

|                         |  |
|-------------------------|--|
| Cab Cooling and Heating | Climate Control Air Conditioning   |
| Accessory Power         | 24V Accessory Power Outlet x 2   |
| Driving                 | SMART Key Push Button Start + Keyless Central Locking<br>Electric Windows<br>Fluorescent Cabin Lamp<br>Interior Reading Lamps<br>Engine Idle Speed Control |

## CAB FEATURES

|                   |  |
|-------------------|--|
| Type              | Low Floor All Steel 4 Point Air Suspended + Electric / Hydraulic Tilt Cab                                      |
| Colour            | Natural White (W31)  |
| Seating Capacity  | 2 + Large Centre Console   |
| Seat (driver)     | Air Suspension<br>Integrated Seat Belt<br>Auto Levelling<br>Height, Tilt, Lumbar + Dampening Adjust<br>Armrest |
| Seats (passenger) | Bucket Seat with Integral Headrest   |
| Interior          | Fully Trimmed + Heavy Duty Vinyl on Floor<br>Premium Rear Bunk Mattress + Curtains                             |
| External          | Roof Mounting Points (max. static load 50kg)<br>Front End-Outline Marker Lamps                                 |

## SERVICE INTERVALS

**60,000km full service / 15,000km safety inspection**  
60,000km full service intervals, depending on application/use. 15,000km safety inspection, with greasing, required for reliability and to maintain warranty cover.

## WARRANTY

**5 years / 500,000km**  
Simply have your vehicle serviced at an authorised FUSO Service Centre, at the recommended servicing intervals, and you are covered by an additional 2 year / 250,000km FUSO warranty on top of the first 3 years / 250,000km. That's a total of 5 years / 500,000km cover! Refer to the terms and conditions in the FUSO warranty booklet for full details.

## SAFETY FEATURES

### ACTIVE SAFETY FEATURES

|   |                |
|---|----------------|
| Electronic Brake System (EBS)                       | Yes            |
| Electronic Stability Control (ESC)                  | Yes            |
| Active Brake Assist (ABA5)                          | Yes <b>NEW</b> |
| Lane Departure Warning System (LDWS)                | Yes            |
| Active Attention Assist (Driver Fatigue Monitoring) | Yes            |
| Proximity Control Assist (Adaptive Cruise Control)  | Yes            |
| Active Side Guard Assist (ASGA)                     | Yes <b>NEW</b> |

### CAB

|  |   |
|--|---|
| Structure                              | ECE-R29 European Cab Strength<br>Door Side Impact Beams   |
| Airbags                                | Driver (steering wheel)   |
| Seatbelts                              | Pre-tensioner<br>Integrated with seat (driver)<br>Warning Light (driver)  |
| Front Underrun Protector Beam (FUP)    | Yes   |
| LH Transom Window + Rear Quarter Glass | Yes   |
| Steering Wheel                         | Leather, Tilt / Telescopic Adjustable   |
| Rearview Mirrors                       | Remote Control, Heated + Separate<br>Convex Spotter (both sides)  |
| Auto-sensing Headlamps                 | Auto High/Low Beam Activation<br>Xtra Vision LED (low beam)<br>Halogen (high beam)<br>Manual height adjustment  |
| Day Time Running Lights                | Yes   |
| Fog Lamps                              | Yes   |
| Front Step Lights                      | Yes   |
| Keyless Central Locking                | Yes   |
| Auto-sensing Wipers                    | Yes   |
| Trailer Brake Control Lever            | Yes   |
| 7" Touchscreen Media Unit              | AM/FM/DAB + USB + AUX<br>Apple CarPlay + Android Auto<br>Wi-Fi enabled for Internet Radio<br>Bluetooth, 32GB capacity storage<br>HD Reverse Camera included † |

### CHASSIS

|                                |                               |
|--------------------------------|-------------------------------|
| Speed Limiter                  | Yes (100km/h factory setting) |
| Jake Engine Brake (460ps)      | Yes                           |
| Anti-Lock Braking System (ABS) | Yes                           |
| Brake Override System          | Yes                           |
| Hill Start System              | Yes                           |
| Traction Control (ASR)         | Yes                           |
| Emergency Stop Signal (ESS)    | Yes                           |
| Reverse Warning Buzzer         | Yes                           |

### OPTIONS

† Additional Touchscreen Display Cameras (up to 4) / Truck Specific GPS Navigation / Reversing Sensors / Tyre Pressure Monitoring (up to 36 tyres)

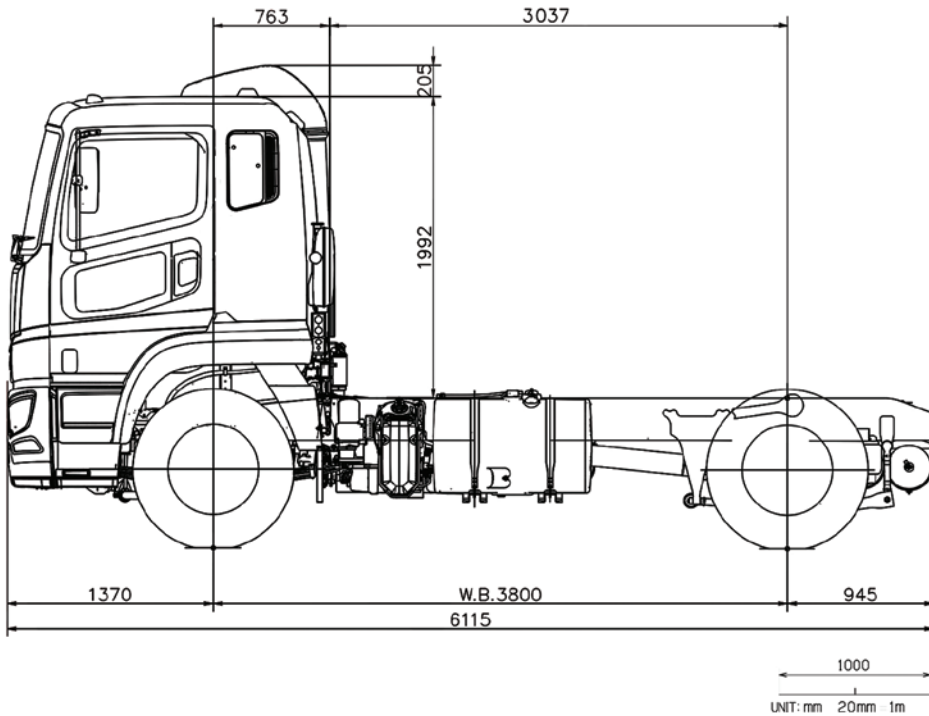
## KERB WEIGHTS AND MAX AXLE LOADS (kg)

| Model  | Vehicle Ratings** | Max Axle Loadings**   |        | Kerb Weights* |        |       |       |       |
|--|-------------------|---|--------|---------------|--------|-------|-------|-------|
|  |                   | GVM   | GCM    | Front***      | Rear   | Front | Rear  | Total |
| 4x2 FP1640G 12 Sp. SHIFTPILOT Air Susp.                                    | FP74HGR2VFBA      | 16,500  | 40,000 | 7,100         | 10,800 | 4,325 | 1,825 | 6,150 |
| * Weights (est.) includes 10L fuel and are subject to 3.5% variation (+/-) |                   | ** Vehicle ratings and max axle loadings may be limited by local regulations. |        |               |        |       |       |       |
| *** Subject to suitable tyres and certification                            |                   |   |        |               |        |       |       |       |

# SHOGUN FP1640G 4x2

| PERFORMANCE                              |                                 | DIMENSIONS (mm)           |                          |
|--|---------------------------------|---------------------------|--------------------------|
| Turning Circle (kerb to kerb - metres)   | 12.8                            | Wheelbase                 | 3,800                    |
| Electronically Speed limited to 100km/hr | Can be adjusted lower by dealer | Length Overall            | 6,115                    |
| Engine Speed (rpm) 90km/hr (top gear)    | 1,600                           | Height Overall            | 3,155                    |
| Gradeability at Rated GCM (theoretical)* | 30%                             | Width Overall             | 2,490                    |
|  |                                 | Width Rear Axle           | 2,475                    |
|  |                                 | Width Front track         | 2,075                    |
|  |                                 | Width Rear Track          | 1,865                    |
|  |                                 | Width Frame               | 840                      |
|  |                                 | Height Frame at Rear Axle | 960 (Air Susp. inflated) |

\*This is theoretical performance only. Actual performance may vary under different conditions



## 4x2 SHOGUN FP1640G TRACTOR – ‘G’ WHEELBASE

Scale = 1:50 (20mm = 1 metre). This scale is accurate when used on the original spec sheet, be aware that enlarging these illustrations can alter the scale and cause incorrect measurements. Fuso New Zealand and its authorised dealers always recommend customers seek professional advice from independent sources before commencing any engineering activities.

A policy of continual improvement means that specifications detailed in this brochure are subject to change without notice. Contact your authorised Fuso dealer to confirm current specifications. Fuso is a registered trademark of Mitsubishi Fuso Truck & Bus Corporation. Copyright © Fuso NZ Ltd (2022).