

CANTEREURO3.0T



GVM	GCM	POWER	W/BASE	CODE
5995kg	9000kg	157ps	3400mm	FEB51ER3SFAC
5995kg	9000kg	157ps	3850mm	FEB51GR3SFAC

PERFORMANCE

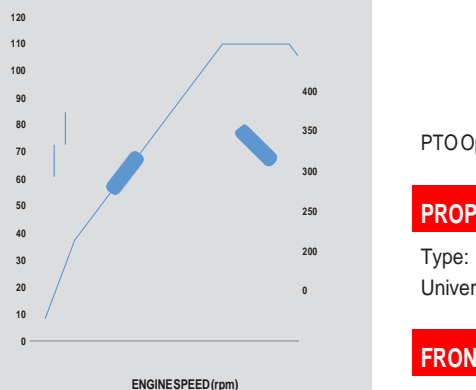
Maximum Speed: 134 Km/h
 Gradeability at Rated GVM: 34 % at GVM 6000Kg
 Gradeability at Rated GCM: TBA
 Turning Circle
 (kerb to kerb): E2=11.6m G2=13m

ENGINE

Mitsubishi 4P10-7AT4 (Euro 5)

Description: 4 Cylinder
 Configuration: Inline -DOHC 4 Valve
 Type: Variable Geometry Turbo Charged with Air to Air Intercooler
 Displacement: 2,998cc
 Bore x Stroke: 95.8x104 mm
 Power (DIN nett): 110kw @ 2840 to 3500 rpm
 Torque (DIN nett): 370Nm @ 1350 to 2840 rpm
 Compression Ratio: 17.5:1
 Oil Cooler: Water Cooled

4P10-7AT4



FUEL

Pump: Bosch Common Rail
 Governor: Electronic
 Filtration: Main Filter with Water Separator
 Fuel Capacity: 100 Litre/Lockable
 Air Cleaner: Dry Paper Element/Vertical Intake

EMISSION SYSTEMS

Emission Standard: Euro V + Enhanced Environmentally Friendly Vehicle (EEV)

Diesel Particulate Filter (DPF) Exhaust
 DPF Status on dash display

COOLING

Fan: 460mm Diameter with 9 Blades
 Fan Drive: Viscous Coupling
 Radiator: Corrugated Fin with expansion tank

ELECTRICAL

Voltage: 12 volt
 Alternator Capacity: 110 amp
 Battery Capacity: 1 x 12V90AH
 Headlamp: Halogen 55/60W
 Foglamp: Front Bumper

CLUTCH

Description: Fully Automated Wet Dual Clutch

TRANSMISSION

Description: FUSO Duonic M038S6 AMT
 No. of Speeds: 6
 Ratios:
 - 1st: 5.397
 - 2nd: 3.788
 - 3rd: 2.310
 - 4th: 1.474
 - 5th: 1.000
 - 6th: 0.701
 - Rev: 5.397
 PTO Opening: LH side

PROPELLER SHAFT

Type: P3
 Universal Joint: Needle Roller

FRONT AXLE

Type: Mitsubishi Reverse Elliot "I" Beam
 Design Capacity: 2600kg
 Maximum Operating Capacity: 2570kg

REAR AXLE

Description: Mitsubishi D033H
 Type: Full floating Hypoid
 Design Capacity: 4500kg
 Maximum Operating Capacity: 4500kg
 Ratio: 4.875

STEERING

Type: Integral Power Assisted Ball
 Steering Wheel: Urethane with Air Bag
 Steering Column: Tilt/telescopic Adjustment

BRAKES

Type: Hydraulic Dual Circuit with ABS/EBD. Dual Caliper Ventilated Disc Front and Rear Brake override safety system
 Size: F 235 x 40mm
 R 235 x 40mm
 Park Brake: Transmission Mounted
 Auxiliary: Exhaust Brake

FRONT SUSPENSION

Type: Semi-Elliptic Leaf Springs with Shock Absorbers & Stabilizer
 Size: 1150 x 70 x 10 - 5 leaf
 Capacity at Ground: TBA

REAR SUSPENSION

Type: Semi-Elliptic Leaf Springs with Shock Absorbers & Stabilizer
 Size: 1250 x 70 x 11 - 2 leaf
 12 - 2
 25 - 1
 Auxiliary: No
 Capacity at Ground: TBA

CHASSIS

Type: Reinforced Tapered Channel
 Size: 192 x 60 x 6mm
 Width: 750
 Tensile Strength: 440 MPA

WHEELS & TYRES

Wheel Type: Single piece tubeless rims
 Wheel Size: 16"
 Wheel Stud Pattern: TBA
 Tyre Size: 205/85R16
 Spare & Tyre Carrier: Yes



KERB WEIGHT (kg - estimated)

	E2	G2
Front:	1565	1565
Rear:	705	725
Total:	2270	2290

Includes coolant, oils and 20 litres fuel.

DIMENSIONS (mm)

	E2	G2
WheelBase:	3400	3850
Overall Length:	5935	6685
Cab to Rear Axle:	2825	3275
Rear Overhang:	1395	1695
Overall Height:	2185	2185
Overall Width:	1995	1995
Track Front:	1670	1670
Track Rear:	1495	1495

CAB FEATURES

All Steel Forward Control. ECE R29 Safety Cab

Type:	Manual Tilt 45 Degrees
Mounting:	Hydroelastic 4 point
Colour:	White W31
Interior:	Fully Trimmed with vinyl
Windscreen:	Laminated and Tinted
Windscreen Wipers:	2 Speed-Intermittent with Integrated Washer Nozzles
Rear Vision Mirrors:	1 Internal 2x External Convex-Heated
Seating Capacity:	3
Seat Belts:	Driver - Height adjustable : 3 point ELR with tension reducer Passenger - ELR 3 point: 2 Point centre
Driver Seat:	Suspension base, fabric trim with built in headrest, lumbar support and armrest
Passenger Seat:	Flat folding 2 passenger bench type with lefthand headrest and fabric trim

INSTRUMENTS

Gauges:

- Speedo with Odometer and Dual Trip Meter
- Tachometer
- Fuel Level

Warning Lights:

- High Beam
- Turn signal/Hazard warning
- Park Brake
- Exhaust Brake
- Engine Pre-Heat
- Alternator
- Low Oil Pressure
- SRS Airbag
- Brake Pad Wear
- Immobilizer
- Seat Belts
- DPF
- AMT Oil Temp
- AMT Fault

SWITCHES

- Fog Lamps
- Fluorescent Cab Lamp
- Heated Exterior Mirrors
- DPF Regeneration switch
- Transmission Economy Mode Switch
- Hazard Lights



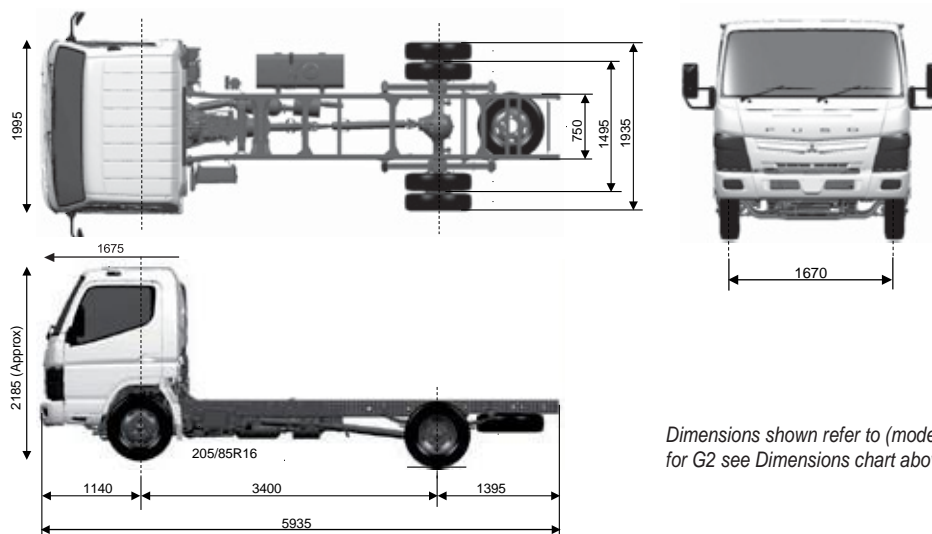
CAB EQUIPMENT

- Drivers air bag G2
- Drivers & passenger air bag E2
- Electric Windows with one touch drivers
- Keyless Central Locking
- Door side impact beams
- Tinted side and rear glass
- Heater-Demister/Air-conditioning
- Interior sunvisors LH/RH
- AM/FM CD radio with 2 speakers
- Fluorescent Cabin Lamp
- Interior Dome Lamp with Delay Function
- Front Step lamps
- Cab Front Outline Marker Lights
- Cigar Lighter
- Electric Horn
- Reverse Warning Buzzer
- Tool Kit
- Overhead Parcel Shelves LH/RH
- Lower Dash Document Holder
- Lockable Glovebox (Excludes dual airbag models)
- Engine access panel on E2

MULTI FUNCTION DISPLAY

- Calendar/Time
- Meter and Gauge Illumination
- Service Reminders
- DPF Level indication
- Fuel Consumption Indication
- Diagnostic Trouble Code Indication
- Coolant Temperature Gauge
- Gear Position Indicator
- Odo and Dual trip meter

CANTER EURO 3.0t



Dimensions shown refer to (model) E2 for G2 see Dimensions chart above.