

# CANTER ECOHYBRID

## 3.0/4.5T

GVM	GCM	POWER	W/BASE	CODE
5995kg	9500kg	157ps	3400mm	FEB74ER3SFAC
7500kg	11000kg	157ps	3400mm	FEB74ER3SFAC
5995kg	9500kg	157ps	3850mm	FEB74GR3SFAC
7500kg	11000kg	157ps	3850mm	FEB74GR3SFAC



### PERFORMANCE (Calculated - Paved Road)

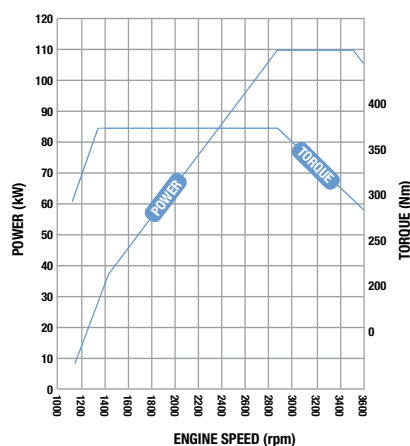
Maximum Speed: 128km/h  
 Gradeability at Rated GVM: 28.5% at GVM 7500kg  
 Turning Circle (kerb to kerb): E2=12.2m G2=13.6m

### ENGINE

#### Mitsubishi 4P10-7AT4 (Euro 5)

Description: 4 Cylinder  
 Configuration: Inline - DOHC 4 Valve  
 Type: Variable Geometry Turbo Charged with Air to Air Intercooler  
 Displacement: 2998cc  
 Bore x Stroke: 95.8 x 104mm  
 Power (DIN Nett): 110kW @ 2840 to 3500 rpm  
 Torque (DIN Nett): 370Nm @ 1350 to 2840 rpm  
 Compression Ratio: 17.5:1  
 Oil Cooler: Water Cooled

#### 4P10-7AT4



### FUEL

Pump: Bosch Common Rail  
 Governor: Electronic  
 Filtration: Main Filter with Water Separator  
 Fuel Capacity: 100 Litre/Lockable  
 Air Cleaner: Dry Paper Element/Vertical Intake

### EMISSION SYSTEMS

Emission Standard: Euro V + Enhanced Environmentally Friendly Vehicle (EEV)  
 Diesel Particulate Filter (DPF) Exhaust  
 DPF Status on Dash Display

### COOLING

Fan: 460mm Diameter with 9 Blades  
 Fan Drive: Viscous Coupling  
 Radiator: Corrugated Fin with Expansion Tank

### ELECTRICAL

Voltage: 12 Volt  
 Alternator Capacity: 140 Amp  
 Battery Capacity: 2x 12V 70AH  
 Headlamp: Halogen 55/60W  
 Foglamp: Front Bumper

### CLUTCH

Description: Fully Automated Wet Dual Clutch

### DRIVE MOTOR

Type: Permanent Magnet Synchronous Motor  
 Max. Output (DIN): 40kW @ 2100 rpm  
 Max. Torque (DIN): 220Nm @ 200 rpm  
 Cooling: ATF & Air Cooling

### HYBRID ELECTRIC VEHICLE BATTERY

Type: Lithium-ion  
 Nominal Voltage: 270 Volt

### TRANSMISSION

#### FUSO DUONIC M038S6 AMT

No. of Speeds: 6  
 Ratios: - 1st: 5.397  
 - 2nd: 3.788  
 - 3rd: 2.310  
 - 4th: 1.474  
 - 5th: 1.000  
 - 6th: 0.701  
 - Rev: 5.397  
 PTO Opening: LH Side

### PROPELLER SHAFT

Type: P3  
 Universal Joint: Needle Roller

### FRONT AXLE

Type: Mitsubishi Reverse Elliot "I" Beam  
 Design Capacity: 3100kg  
 Maximum Operating Capacity: 3100kg

### REAR AXLE

Description: Mitsubishi D035H  
 Type: Full Floating Hypoid  
 Design Capacity: 6000kg  
 Maximum Operating Capacity: 6000kg  
 Ratio: 5.285

### STEERING

Type: Integral Power Assisted Ball  
 Steering Wheel: Urethane with Air Bag  
 Steering Column: Tilt/Telescopic Adjustment

### BRAKES

Type: Hydraulic Dual Circuit with ABS/EBD  
 Dual Calliper Ventilated Disc Front & Rear  
 Brake Override Safety System  
 Size: F 252 x 40mm  
 R 252 x 40mm  
 Park Brake: Transmission Mounted  
 Auxiliary: Exhaust Brake

### FRONT SUSPENSION

Type: Semi-Elliptic Leaf Springs with Shock Absorbers & Stabilizer  
 Size: 1150x70x10-3Leaf

11 - 2



wide cab

# CANTER ECO HYBRID

## 3.0/4.5T

### REAR SUSPENSION

Type:	Semi-Elliptic Leaf Springs with Shock Absorbers & Stabilizer
Size: Main	1250x70x12-1 Leaf 11 - 2 10 - 3
Helper:	880x70x15-3 Leaf

### CHASSIS

Type:	Reinforced Tapered Channel
Size:	192x60x6mm
Width:	750mm
Tensile Strength:	440 MPA

### WHEELS & TYRES

Wheel Type:	Single Piece Tubeless Rims
Wheel Size:	17.5x6.00-127-9t
Wheel Stud Pattern:	6 Stud
Tyre Size:	215/75R17.5
Spare & Tyre Carrier:	Yes

### KERB WEIGHT (kg - estimated)

	E2	G2
Front:	1695	1685
Rear:	865	895
Total:	2560	2580

*Includes coolant, oils & 20 litres fuel.*

### DIMENSIONS (mm)

	E2	G2
Wheel Base:	3400	3850
Overall Length:	5935	6685
Cab to Rear Axle:	2825	3275
Rear Overhang:	1395	1695
Overall Height:	2195	2195
Overall Width:	1995	1995
Track Front:	1670	1670
Track Rear:	1560	1560

### SWITCHES

- Fog Lamps
- Florescent Cab Lamp
- Heated Exterior Mirrors
- DPF Regeneration Switch
- Transmission Economy Mode Switch
- Hazard Lights

### CAB FEATURES

All Steel Forward Control. ECE R29 Safety Cab
Type: Manual Tilt 45 Degrees
Mounting: Hydroelastic 4 Point
Colour: White W31
Interior: Fully Trimmed with Vinyl
Windscreen: Laminated & Tinted
Windscreen Wipers: 2 Speed-Intermittent with Integrated Washer Nozzles
Rear Vision Mirrors: 1 Internal 2 x External Convex-Heated
Seating Capacity: 3
Seat Belts: Driver - Height adjustable: 3 Point ELR with tension reducer Passenger - ELR 3 Point: 2 Point Centre
Driver Seat: Suspension Base, Fabric Trim with Built in Headrest, Lumbar Support & Armrest
Passenger Seat: Flat Folding 2 Passenger Bench Type with Left-hand Headrest & Fabric Trim

### INSTRUMENTS

- Gauges:**
- Speedo with Odometer & Dual Trip Meter
  - Tachometer
  - Fuel Level
- Warning Lights:**
- High Beam
  - Turn Signal/Hazard Warning
  - Park Brake
  - Exhaust Brake
  - Engine Pre-Heat
  - Alternator
  - Low Oil Pressure
  - SRS Airbag
  - Brake Pad Wear
  - Immobilizer
  - Seat Belts
  - DPF
  - AMT Oil Temp
  - AMT Fault

### EQUIPMENT

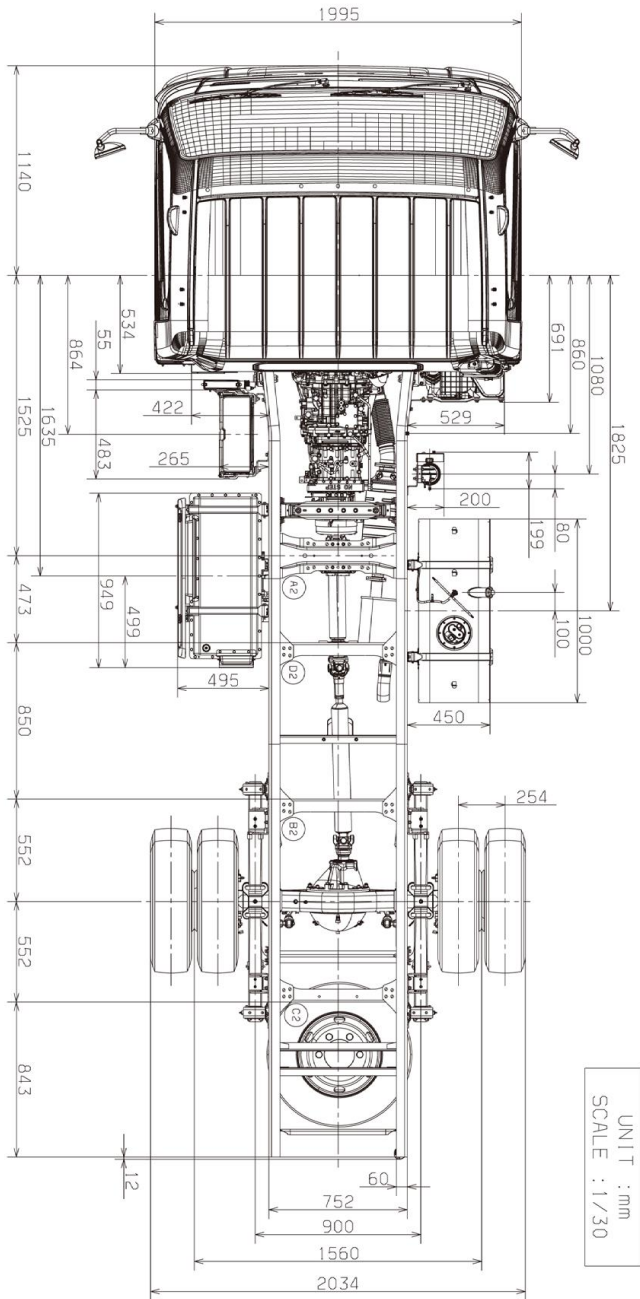
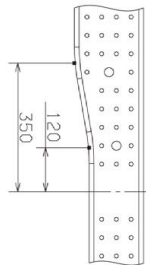
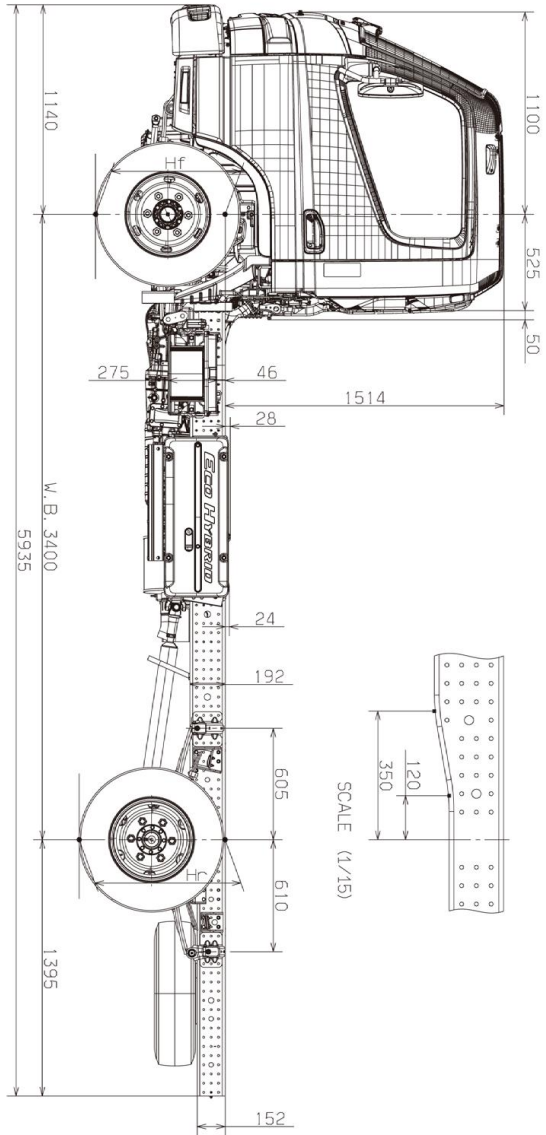
- Idle Stop Start System (ISS)
- Drivers SRS Airbag
- Passenger SRS Airbag
- Electric Windows with One Touch Drivers
- Keyless Central Locking
- Door Side Impact Beams
- Tinted Side & Rear Glass
- Heater-Demister/Air-conditioning
- Interior Sunvisors LH/RH
- AM/FM CD Radio with 2 Speakers
- Fluorescent Cabin Lamp
- Interior Dome Lamp with Delay Function
- Front Step Lamps
- Cab Front Outline Marker Lights
- Cigar Lighter
- Electric Horn
- Reverse Warning Buzzer
- Tool Kit
- Overhead Parcel Shelves LH/RH
- Lower Dash Document Holder
- Engine Access Panel

### MULTI FUNCTION DISPLAY

- Energy Flow
- Calendar/Time
- Meter & Gauge Illumination
- Service Reminders
- DPF Level Indication
- Fuel Consumption Indication
- Diagnostic Trouble Code Indication
- Coolant Temperature Gauge
- Gear Position Indicator
- Odo & Dual Trip Meter

# CANTER ECO HYBRID

## 3.0/4.5T



# CANTER ECOHYBRID

## 3.0/4.T

