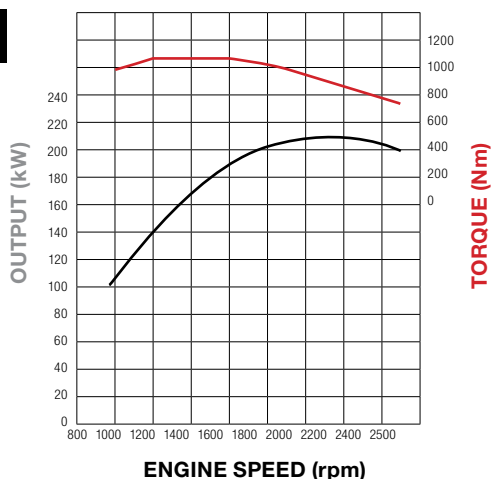


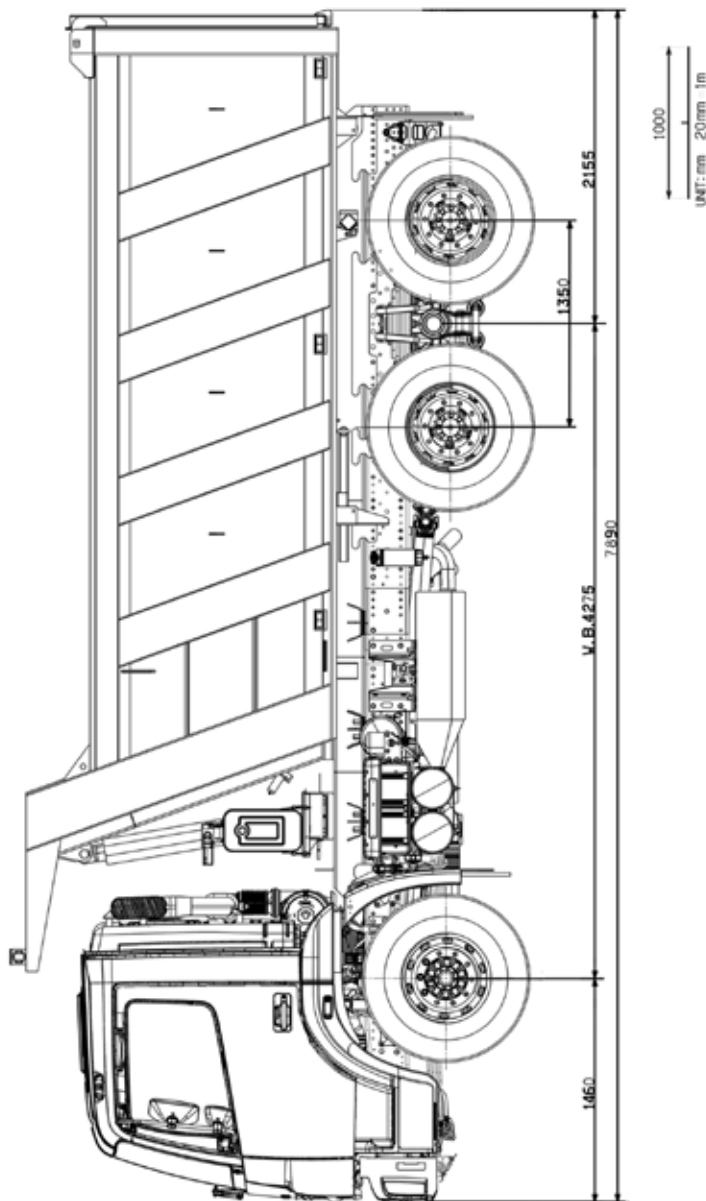


Model code	FJX3WK2RFBA(T)	Transmission	9 spd G131 Manual Synchronesh Ratios: 14.57 - 9.48 - 6.64 - 4.82 - 3.67 - 2.59 - 1.81 - 1.32 - 1.00 : R - 13.86
Configuration	6x4 Tipper	PTO (Std)	Output Torque: 700Nm Ratio: 1.357 @ 1700rpm
GVM	25,000kg	Axles	Front: Reverse Elliot (6,600kg) Rear: Full Floating with Diff Lock and Cross Locks (11,000kg x 2); Ratio : 4.778 : 1
GCM	36,000kg	Suspension	Front: Parabolic with Anti Roll Bar Rear: Multi Leaf, Tandem Bogie with Torque Rods and Anti Roll Bar
Axle GVM ratings	Front: 6,600kg Rear: 19,000kg	Brakes	Full Air S Cam with Auto Brake Adjustment and ABS Auxiliary: Exhaust Brake and Engine Brake
Kerb weight (10L fuel)	Front: 4,680kg Rear: 6,520kg Total: 11,200kg	Tyres	295/80R22.5
Engine	OM906, 6.4L, 6 Cylinder	Wheels	8.25" x 22.5" 10 Stud ISO
Power/torque	285hp (210kW) @ 2200rpm / 1120Nm @ 1200- 1600rpm	Fuel	290L + 60L Ad Blue
Live Drive PTO	Output Torque: 600Nm Ratio: 1:07 x engine speed	Electrical	24Volt / 80Amp Alt
		Performance	90km/hr speed limited; Max gradability = 70%
		3 Seat Cab	Meets ECE R29 crash standard (max 6,000kg front axle loading) All Steel Forward Control Tilting Day Cab Arctic White (AW1) Air Suspended Driver's Seat with Integral Seat Belt ELR 3 Point with Centre Lap Belt & Driver's Seat Belt Reminder Air Conditioner / Heater / Demister 12V Accessory Power Outlet Radio AM/FM + USB + Aux Central Locking / Electric Windows Dual Door Mirrors + LH Front and Side Safety Mirrors Speedo, Tacho, Air and Fuel Gauges Ad Blue Level, Engine Hours, Fuel Consumption, Water Temperature Variable RPM Control

OM906



ENDURO FJ2528 TIPPER



DIMENSIONS

Wheelbase	4,275
Overall Length	7,890
Width	2,490
Height	3,385
Frame Height At Rear Axle	1,110
Rear Over Hang (ROH)	2,155
Front Track	2,045
Rear Track	1,805

Please note: All dimensions are in mm

TIPPER BODY

Volume	16m ³
Internal Dimensions	4.7 x 2.3 x 1.4m
Height To Top Of Body Side Rails	2.84m
Material	ST 52.3 350 Grade
Floor	6mm
Side & Headboard	4mm

Scale = 1:50 (20mm = 1 metre). This scale is accurate when printed at full size (as available from your local FUSO dealer). If printing a downloaded pdf from the Fuso NZ website, please check your printer settings. Please be aware that printing these sheets at anything other than 100% size can alter the scale and cause incorrect measurements. Fuso NZ and its authorised dealers recommend customers seek professional advice from independent sources before commencing any engineering activities.

A policy of continual improvement means that specifications detailed on this sheet are subject to change without notice. Contact your authorised FUSO dealer to confirm current specifications. FUSO is a registered trademark of Mitsubishi Fuso Truck & Bus Corporation. Copyright © Fuso NZ Ltd (2022).