

MEDIUM WHEELBASE

# HD FV2547

6x4 • AMT



**Power / Torque:**  
346kW / 2,227Nm



**Wheelbase:**  
4,300mm (K)



**Suspension:**  
Steel / Air

- 30,000km service intervals
- Isringhausen driver's seat
- Non-synchromesh transmission
- 7.5T tare weight

# SPECIFICATIONS - HD FV2547

## MODEL

6x4 HD FV2547	12 SP.	AMT	Steel Susp.	FV51SK5VFAA
6x4 HD FV2447	12 SP.	AMT	Air Susp.	FV54SK5VFAA

## WHEELBASE (mm)

4,300 (K)
4,300 (K)

## GVM (kg)

25,400
24,000

## GCM (kg)

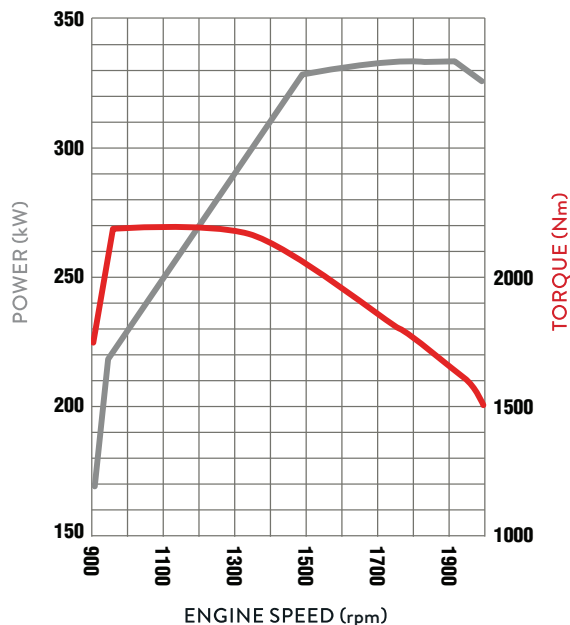
55,000
55,000

## ENGINE

Engine Version	FUSO OM457-T5 Diesel
Configuration	6 Cyl. In-line OHV
Type	Waste-gate Turbocharged with Air to Air Intercooled
Displacement	12 litre (11,967cc)
Power (DIN)	335kW @ 1900rpm
Torque (DIN)	2200Nm @ 1100rpm
Power (JIS Gross)*	346kW (470ps) @1900rpm
Torque (JIS Gross)*	2227Nm (1644lbft) @1100rpm
Maximum Engine Speed (rpm)	2200
Cooling System/Oil Cooler	Water cooled with Viscous fan, 32.0L capacity. Engine oil cooler
Air Cleaner	Paper Element Type with Restrictor Indicator. Vertical Intake Mounted on Clean Air Side (RH)
Cold Start Preheat	Standard
Emission Control	Selective Catalytic Reduction (SCR)
Emission Level	Euro 5 (ADR 80/03)

\*Calculated

## OM457-T5



## FUEL

Injection System	Electronically Controlled Unit Pump Injection
Tank Type	Rectangular Alloy Tank with Locking Cap
Fuel Capacity (L)	400
Filtration	Filter with Water Separator and Dash Indicator
AdBlue Exhaust Fluid Capacity	40 Litres, Tank fitted with locking AdBlue cap

## ELECTRICAL

Voltage	24V Negative Ground
Alternator Capacity	24V-80 amp
Battery Specification	Heavy Duty 2 x 12V, 150Ah/20hr
Headlamp Type	Halogen 2 x 70w / 70W
Fog Light	Halogen

## CLUTCH

Clutch Model	FUSO C12W43P
Type	Single Plate
Operation/Specification	Automated Manual (no clutch pedal)

## TRANSMISSION

Version	FUSO Automated Manual G230-12 (INOMAT-II)	
Type/Speeds	12 Speed AMT with Auto and Manual Modes Constant Mesh Non Synchronesh Transmission	
Features	Crawler Mode Skip Shift Function for Light Loads ECO Mode to Minimise Fuel Usage Start gear select Reverse Hi / Low	
Ratios	1st: 11.672 2nd: 9.101 3rd: 7.055 4th: 5.501 5th: 4.400 6th: 3.430	7th: 2.652 8th: 2.068 9th: 1.603 10th: 1.250 11th: 1.000 12th: 0.779
Reverse	RHigh: 9.101 RLow: 11.673	
PTO Opening	LH Side and Rear	

## PROPELLER SHAFT

Type	Single Main Shaft GW5E2200, Inter-axle Shaft P12
------	--

## FRONT AXLE

Axle Version	FUSO F900T "I" Beam
Type	Reverse Elliot "I" Beam
Design Capacity (kg)	7,100
Max Operating Capacity (kg)	7,100 (Subject to suitable tyres and certification)

## FRONT SUSPENSION

Type	Long Taper Leaf with Double Acting Shock Absorbers
Size (mm)	1,500 x 90 Leaves

# SPECIFICATIONS - HD FV2547

## REAR AXLE

	Steel 6 Rod (FV52)	Air (FV54)
Type	Full Floating Hypoid Type Tandem Drive with Inter-Axle Diff Lock	
Axle Version	FUSO D10HT/10H	
Design Capacity (kg)	21,600	
Max Operating Capacity (kg)	21,600	
Ratio	4.625:1	4.222:1

## REAR SUSPENSION

	Steel 6 Rod (FV52)	Air (FV54)
Type	Mechanical Suspension	Air Suspension
Details	Long Leaf Taper, 6 Rod Trunnion	Trailing Arm with Air Dump control and double acting shock absorbers
Size Main Leaves (mm)	1,320 x 90	Air Bags (250mm) x 4

## STEERING

Power Assisted	Tilt/Telescopic Adjustable Steering Wheel
----------------	---

## BRAKES

Type	Full Air Taper Rollerdrum brakes with auto adjust, ABS plus ASR (Traction Control)
Size Front/Rear (mm)	410 x 150 / 410 x 200
Park Brake	Rear Wheel Spring Actuated
Engine Brake	4 Stage Powertard + Exhaust brake with Shift Down Function
Compressor	636cc with air dryer
Trailer Control Lever	Yes
Air tanks	Alloy

## WHEELS AND TYRES

	Steel 6 Rod (FV52)	Air (FV54)
Wheel Type	10x Alcoa Alloy	
Wheel Size	22.5 x 8.25DC	
Wheel Stud Pattern	ISO 10 x 335mm PCD	
Tyre Size Front / Rear	295/80R22.5 / 11R22.5	275/70R22.5
Option	n/a	295/80R22.5/11R22.5 + 4.625 diff ratio

## CHASSIS

Type	Super Frame Reinforced Parallel Channel
Size (mm)	300 x 90 x 7.0
Width (mm)	840

## KERB WEIGHTS AND MAX AXLE LOADS (kg)

Model	Vehicle Ratings**	Max Axle Loadings**	Kerb Weights*		
			Front***	Rear	Total
6x4 HD FV2547 12 Sp. AMT Steel Susp.	FV51SK5VFAA	25,400 / 55,000	7,100	21,600	4,270 / 3,380 / 7,650
6x4 HD FV2447 12 Sp. AMT Air Susp.	FV54SK5VFAA	24,000 / 55,000	7,100	21,600	4,330 / 3,140 / 7,470

\* Weights (est.) includes 10L fuel and spare wheel and are subject to 2.5% variation (+/-)

\*\* Vehicle ratings and max axle loadings may be limited by local regulations.

\*\*\* Subject to suitable tyres and certification

## OPTIONS

Options	Reverse camera and navigation system
---------	--------------------------------------

## INSTRUMENTS

Gauges	Speedometer with Odometer; Tachometer Air Pressure (2); Fuel Level; Water Temperature AdBlue Level
Colour Information Display	Fuel Consumption; Service Indicators Hour Meter and Tripmeter; Oil Level Check

## STANDARD FEATURES

Airbag	Driver's Air Bag and Seat Belt Pre-tensioner
Hill Start System	Yes
Speed Limiter 100km/hr	AMT 12spd is Activated by dealer
Cab Cooling and Heating	Climate Control
Accessory Power	24V Accessory Power Outlet/Cigar Lighter
Driving	Keyless Central Locking; Cruise Control Electric Windows; LH Transom Window Cup Holders; Fluorescent Cabin Lamp and Interior Reading Lamps; Engine Idle Speed Control
Audio	Multi Media 6.1" Touch screen audio with AM/FM/DAB radio, Bluetooth, USB Port and DVD player
Storage	Large Centre Storage Console; Rear Bunk Storage Pocket; Dash Storage Tray 2 DIN; Overhead Console boxes
Chassis	Reverse Warning Buzzer

## CAB FEATURES

Type	All Steel Forward Control Electric / Hydraulic Tilt Cab
Cab Structure	Meets ECE-R29 European Cab Strength (max front axle weight 6.5T) Door Side Impact Beams
Doors	90deg Opening
Colour	Natural White (W31)
Windscreen	Laminated Tinted; Rear Quarter Glass
Windscreen Wipers	2 Speed + Intermittent Cycle with Integrated Washer Nozzles
Rear Vision Mirrors	Remote Control /Heated with Convex Spotter (Both Sides)
Seating Capacity	2
Seat Belts	Lap Sash Belts
Seat (driver)	ISRI Air Suspension with Auto Levelling, Height, Tilt and Dampening Adjustment
Seats (passenger)	Bucket seat with Integral Headrest and Fabric Trim
Interior	Fully trimmed with rear bunk mattress; Heavy Duty Vinyl on floor; Curtains
External	Roof Mounting Points (max. static load 50kg); Front End-Outline Marker Lamps Lift up front maintenance panel

# SPECIFICATIONS - HD FV2547

## SERVICE INTERVALS

Please contact your nearest Fuso dealer for details

## WARRANTY

36 months or 250,000km (whichever occurs sooner)  
Subject to terms and conditions in the Fuso Warranty Booklet

## PERFORMANCE

Turning Circle (kerb to kerb - metres) 15.0

Road Speed (km/h) at Max Engine Speed 117

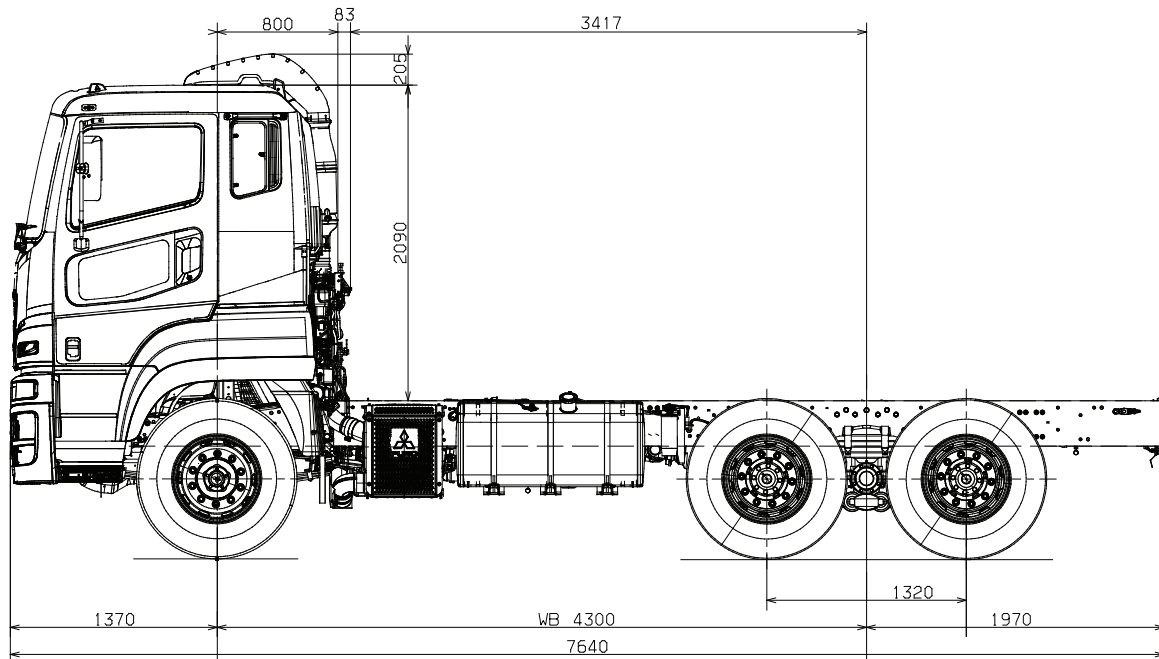
Engine Speed (rpm) 1700  
90km/hr (top gear)

Gradeability at Rated GCM (theoretical)\* 30%

Notes \*This is theoretical performance only. Actual performance may vary under different conditions

## DIMENSIONS (mm)

Wheelbase	4,300
Length Overall	7,640
Height Overall	3,300
Width Overall	2,490
Width Rear Axle	2,470
Width Front Track	2,050
Width Rear Track	1,850
Width Frame	840
Height Frame at Rear Axle	Steel Susp = 1,058 Air Suspension = 990



HD FV2547 - 'K' WHEELBASE

1000  
UNIT: mm 20mm=1m

Scale = 1:50 (20mm = 1 metre). This scale is accurate when used on the original spec sheet, be aware that enlarging these illustrations can alter the scale and cause incorrect measurements. Fuso New Zealand and its authorised dealers always recommend customers seek professional advice from independent sources before commencing any engineering activities.

A policy of continual improvement means that specifications detailed in this brochure are subject to change without notice. Contact your authorised Fuso dealer to confirm current specifications. Fuso is a registered trademark of Mitsubishi Fuso Truck & Bus Corporation. Copyright © Fuso NZ (2017)