

FUSO HEAVY



CONFIGURATION	GVM	GCW	KERB WEIGHT	W/BASE	CODE
4.2	16.0T	40.0T	6180KG	3800MM	FP54SGR3VFAA

PERFORMANCE

Maximum Speed:	117km/hr
100km/hr speed limiter available	
Gradeability at Rated GCM:	32%
Turning Radius (kerb to kerb):	6.3m

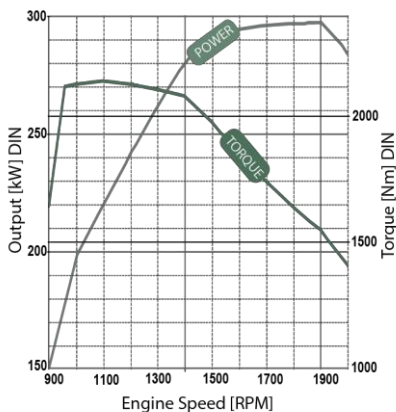
ENGINE

Mitsubishi Fuso OM457-T3 12L (Euro V)

Configuration:	6 Cyl. In-line
Type:	OHV, 4 Valve, Waste Gate Turbo with Intercooler
Displacement:	11967 cc
Bore x Stroke:	128 mm x 155 mm
Power (DIN nett):	295kW @ 1900 rpm (JIS Gross: 410 ps*)
Torque (DIN nett):	2000 Nm @ 1100 rpm (JIS Gross: 1495 lb/ft*)
Maximum Engine Speed:	2200 rpm
Compression Ratio:	18.5:1

* Calculated

OM457 ENGINE PERFORMANCE



FUEL

Pump:	Bosch Unit Injectors
Governor:	Electronic
Filtration:	Main filter with water separator
Fuel Capacity:	400L Alloy tank with lockable cap
Air Cleaner:	RHS snorkel with single element and Cold Start Preheat:
	Standard

EMISSION SYSTEM

Emission Standard	Euro V
Box muffler LHS. Exhaust with BLUETEC* SCR After Treatment System. 40L AdBlue tank with on dash display	

COOLING

Fan:	750mm diameter with 8 Blades
Fan Drive:	Viscous Clutch
Radiator:	Aluminium

ELECTRICAL

Voltage:	24 volt neg earth
Alternator Capacity:	24v-80 amp
Heavy Duty Batteries:	2 x 12v, 150Ah/20hr

CLUTCH

Description:	C12W43P
Type:	Single dry plate 430 mm Woven facing material
Operation:	Fully Automated with Hill Start Assist

TRANSMISSION

Model: FUSO INOMAT II G230-12 AMT (2 Pedal Type)

No. of Speeds:	12
Ratios:	
- 1st:	11.672
- 2nd:	9.101
- 3rd:	7.055
- 4th:	5.501
- 5th:	4.400
- 6th:	3.430
- 7th:	2.652
- 8th:	2.068
- 9th:	1.603
- 10th:	1.250
- 11th:	1.000
- 12th:	0.779

Reverse:	High: 9.101:1 Low: 11.672:1
Control:	INOMAT 2 Automated shift with auto and manual shift modes and Hill Start Assist
Additional Modes:	Start gear select, Slow Manoeuvre, Economy, Reverse high/low
Oil Cooler:	T/M oil cooler (air cooling type)
PTO Opening:	Rear Mounting

PROPELLER SHAFT

Type: Main:	GW5E220 with guard
Interaxle:	P12

FRONT AXLE

Type:	F900T
Design Capacity:	6500kg
Maximum Operating Capacity:	7100kg (Subject to suitable tyres & certification)

REAR AXLE

Description:	D14H
Type:	Single reduction - hypoid
Design Capacity:	10800
Maximum Operating Capacity:	10,800kg
Ratio:	4.222

STEERING

Type:	Integral Power Assisted ball & nut
Steering Wheel:	Urethane with air bag
Steering Column:	Tilt & Telescopic adjust

BRAKES

Type:	Full air taper roller drum brakes with auto adjust ABS & ASR Traction control
Size:	F 410 x 150mm R 410 x 200mm
Park Brake:	Spring on rear axle
Engine Brake:	4 stage Powertard with Exhaust Brake and Shift Down
Retardation Power:	320ps @ 2300 rpm
Compressor:	340cc with air dryer
Air Tanks:	Alloy

FRONT SUSPENSION

Type:	Long taper leaf
Size:	1650 x 90 x 16mm - 4
Capacity at Ground:	7280kg
Shock Absorbers:	Double acting

REAR SUSPENSION

Type:	FUSO airbag with underslung arm
Size:	2x 300mm diameter bags
Capacity at Ground:	11,000kg each
Shock Absorbers:	Double acting front & rear

CHASSIS

Type:	Super Frame parallel channel with tapered rear overhang
Size:	276 x 90 x 6mm
Width:	840mm
Tensile Strength:	540MPa

WHEELS & TYRES

Wheel Type:	Steel
Wheel Size:	8.25 x 22.5 - 165-13T
Wheel Stud Pattern:	10 Stud ISO
Tyre Size:	Front & Rear: 275/70R22.5
Spare Tyre:	No

KERB WEIGHT (KG – ESTIMATED)

Front:	4255
Rear:	1925
Total:	6180

Includes coolant, oils and 20 litres fuel.

DIMENSIONS (MM)

Wheel Base:	3800
Overall Length:	6115
Cab to Axle:	3100
Rear Overhang:	945
Overall Height:	3240
Overall Width:	2490

MULTIFUNCTION DISPLAY

- Calendar/Time
- Service Reminders
- Fuel Consumption Indication
- Diagnostic Trouble Code Indication
- Gear Position Indicator
- Odo and Dual trip meter
- Engine Oil level check
- Warning/indicator display
- AdBlue level indicator
- Hour Meter
- Maintenance Indicator

CAB FEATURES

Construction:	All Steel Forward Control
Type:	Electric/Hydraulic 50 deg cab tilt
Mounting:	4 Point air suspension
Colour:	Natural White (W31)
Safety features:	90 degree opening doors with side intrusion bars

European Safety Standard ECE-R29

Lighting:	Halogen headlamps with Fog lights in bumper
Interior:	Fully trimmed with rear mattress
Windscreen:	Laminated & tinted
Windscreen Wipers:	3 windscreen wipers with built in nozzles 2 speed & intermittent
Rear Vision Mirrors:	Remote control & heated flat main mirror with heated convex spotters
Seating Capacity:	2
Seats: Driver:	ISRI air suspension with auto levelling height, tilt and dampening adjustment Integral headrest & fabric trim
Passenger:	Fixed base, 18 stage reclining, headrest & fabric trim
Seat belts:	Pretensioner, ELR attached 3 points type

INSTRUMENTS

Gauges:

- Speedo with Odometer and Dual Trip Meter
- Tachometer
- Fuel Level
- Dual air pressure gauge
- Water temperature meter

Warning Lamps:

- Park Brake
- Exhaust Brake/powerterd
- Engine Pre-heat
- Alternator
- Low Oil Pressure/Oil Filter Blockage
- SRS Air Bag
- Immobilizer
- Seat Belt
- AdBlue level
- AMT Oil Temp
- Engine check light
- Interaxle diff lock
- Brake air pressure
- Cold start indicator
- Door Open
- Low coolant level
- Cab tilt indicator
- Air filter restriction
- Cruise Control

CAB EQUIPMENT

Exterior:

- Lift-up front maintenance panel
- Transom window on LH door
- Roof spoiler mounting points (max weight 50kg)
- Roof mounted white marker lights x2

Interior:

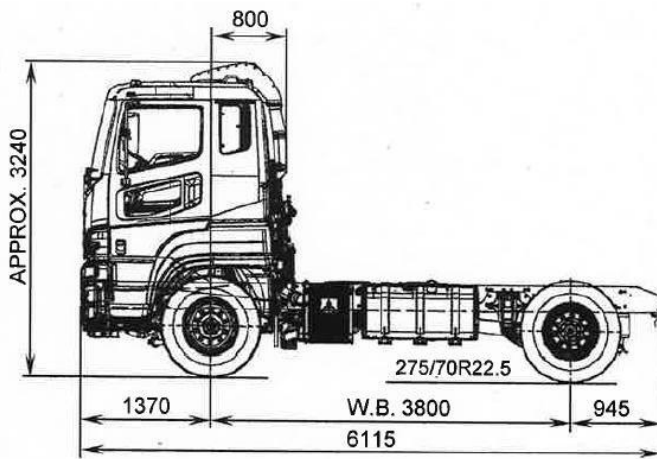
- Fully trimmed
- Centre-Rear-Side Curtains
- Driver's air bag and seat belt pretensioner
- Centre floor console with glove box & seat under tray
- Cup holder for driver
- Large overhead console boxes
- Sun visors x 2
- Interior rear view mirror
- Opening rear quarter windows
- Grab handle on 'A' pillar
- Auto air conditioning with heater/demister
- Central locking and Keyless Entry System
- Power windows and drivers auto up/down
- 6" Touch screen audio with Bluetooth, USB and DVD player with 2nd screen output.
- Engine idle speed control
- Cruise control
- Cold start switch
- Trailer brake hand control
- Hazard warning switch
- Reading lamps
- Tool kit & jack
- Electric Horn
- Fluorescent cab lamp

OPTIONAL EQUIPMENT

- Reverse camera and navigation system

FUSO HEAVY

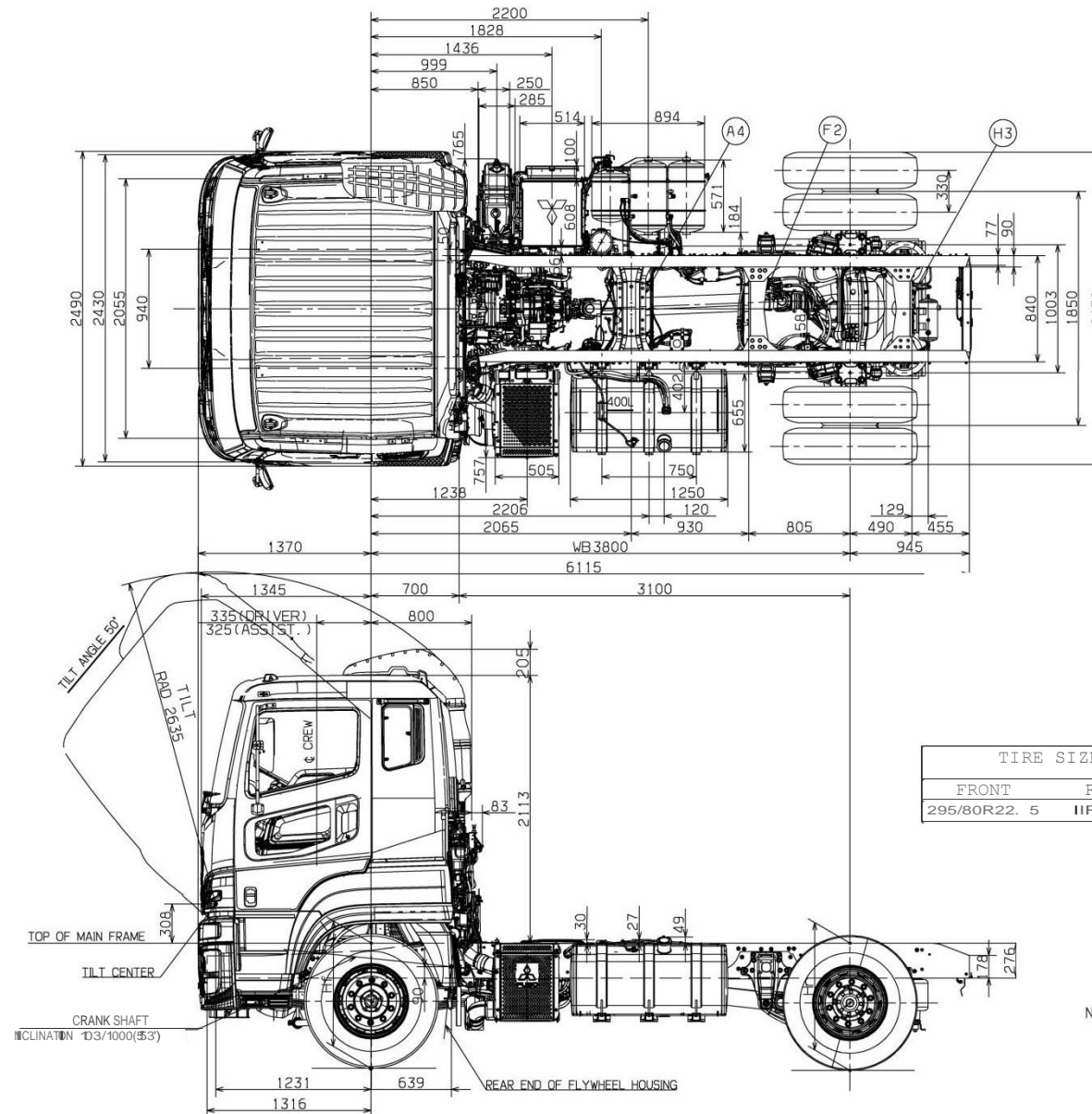
4x2



10.5 Chassis cab drawings

FP54SGR3VFAA

FP410G1



NOTE: FOR THE DETAILS OF CROSSMEMBERS, SEE DETAILS OF CROSSMEMBERS

UNIT :mm
SCALE :1/40