

FUSO HEAVY



CONFIGURATION	MODEL CODE	GVM	GCW	KERB WEIGHT	W/BASE	CODE
6X4	FV470K2	25.4T	55.0T	7725KG	4300MM	FV54SK5VFAA
6X4	FV470K2D	18.0T	55.0T	7725KG	4300MM	FV54SK5VFAA

PERFORMANCE

Maximum Speed:	117km/hr
100km/hr speed limiter available	
Gradeability at Rated GCM:	29.5%
Turning Radius (kerb to kerb):	7.4m

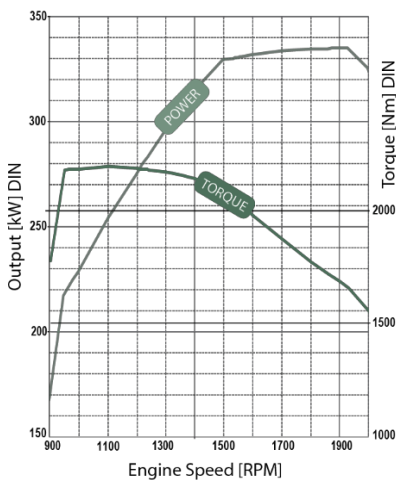
ENGINE

Mitsubishi Fuso OM457-T5 12L (Euro V)

Configuration:	6 Cyl. In-line
Type:	OHV, 4 Valve, Waste Gate Turbo with Intercooler
Displacement:	11967 cc
Bore x Stroke:	128 mm x 155 mm
Power (DIN nett):	335 kW @ 1900 rpm (JIS Gross: 470 ps*)
Torque (DIN nett):	2200Nm @ 1100 rpm (JIS Gross: 1644 lb/ft*)
Maximum Engine Speed:	2200 rpm
Compression Ratio:	18.5:1

*Calculated

OM457 ENGINE PERFORMANCE



FUEL

Pump:	Bosch Unit Injectors
Governor:	Electronic
Filtration:	Main filter with water separator
Fuel Capacity:	400L Alloy tank with lockable cap
Air Cleaner:	RHS snorkel with single element and Cold start Preheat: Standard

EMISSION SYSTEM

Emission Standard:	Euro V
Box muffler LHS. Exhaust with BLUETEC® SCR AfterTreatment System. 40L ADBLUE tank with on dash gauge	

COOLING

Fan:	750mm diameter with 8 Blade
Fan Drive:	Viscous Clutch
Radiator:	Aluminium

ELECTRICAL

Voltage:	24 volt neg earth
Alternator Capacity:	24v - 80 amp
Heavy Duty Batteries Capacity:	2 x 12v, 150Ah/20hr

CLUTCH

Description:	C12W43P
Type:	Single dry plate 430mm Woven facing material
Operation:	Fully Automated with Hill Start Assist

TRANSMISSION

Model: FUSO INOMAT II G230-12 AMT (2 Pedal Type)

Ratios:	- 1st: 11.672
	- 2nd: 9.101
	- 3rd: 7.055
	- 4th: 5.501
	- 5th: 4.400
	- 6th: 3.430
	- 7th: 2.652
	- 8th: 2.068
	- 9th: 1.603
	- 10th: 1.250
	- 11th: 1.000
	- 12th: 0.779

Reverse:	High: 9.101:1 Low: 11.672:1
Control:	INOMAT 2 Automated shift with auto and manual shift modes and Hill Start Assist
Additional Modes:	Start gear select, Slow Manoeuvre, Economy, Reverse high/low
Oil Cooler:	T/M oil cooler (air cooling type)
PTO Opening:	LHS and Rear mounting

PROPELLER SHAFT

Type: Main:	GW5E220 with guard
Interaxle:	P12

FRONT AXLE

Type:	F900T
Maximum Operating Capacity:	7100kg (Subject to suitable tyre & certification)

REAR AXLE

Description:	D10HT/D10H with Interaxle diff lock
Type:	Single reduction - hypoid
Design Capacity:	21600kg
Maximum Operating Capacity:	21600kg
Ratio:	4.625

STEERING

Type:	Integral Power Assisted ball & nut
Steering Wheel:	Urethane with air bag
Steering Column:	Tilt & Telescopic adjust

BRAKES

Type:	Full air taper roller drum brakes with auto adjust ABS & ASR Traction control
Size:	F 410 x 150mm R 410 x 200mm
Park Brake:	Spring on both rear axles
Engine Brake:	4 stage Powertard with Exhaust Brake and Shift Down
Retardation Power:	320ps @ 2300 rpm
Compressor:	636cc with air dryer
Air Tanks:	Alloy

FRONT SUSPENSION

Type:	Long Taper Leaf
Size:	1500 x 90 x 23mm - 3
Capacity at Ground:	7280kg
Shock Absorbers:	Double acting

REAR SUSPENSION

Type:	FUSO airbag with underslung arm
Size:	250mm diameter bags
Capacity at Ground:	22000kg
Shock Absorbers:	Double acting front & rear

CHASSIS

Type:	Super Frame parallel channel
Size:	300 x 90 x 7mm
Width:	840mm
Tensile Strength:	540 MPa

WHEELS & TYRES

Wheel Type:	Steel
Wheel Size:	8.25x 22.5 - 165-13T
Wheel Stud Pattern:	10 Stud ISO
Tyre Size:	Front 295/85R 22.5 & Rear: 11R22.5
Spare Tyre:	No

KERB WEIGHT (KG - ESTIMATED)

Front:	4450
Rear:	3275
Total:	7725

Includes coolant, oils and 20 litres fuel.

DIMENSIONS (MM)

Wheel Base:	4300
Overall Length:	7640
Cab to Axle:	3600
Rear Overhang:	1970
Overall Height:	3305
Overall Width:	2490

OPTIONAL EQUIPMENT

- 4.222 + 275/70R22.5 LP Spec
- Reverse camera and navigation system

MULTI FUNCTION DISPLAY

- Calendar/Time
- Service Reminders
- Snow Mode - Low speed maneuvering
- Fuel Consumption Indication
- Diagnostic Trouble Code Indication
- Gear Position Indicator
- Odo and Dual trip meter
- Engine Oil level check
- Warning/indicator display
- AdBlue level indicator
- Hour Meter
- Maintenance Indicator

CAB FEATURES

Construction:	All Steel Forward Control
Type:	Electric/Hydraulic 50 deg cab tilt
Mounting:	4 Point air suspension

Colour:	Natural White (W31)
Safety features:	90 degree opening doors with side intrusion bars
Lighting:	Halogen headlamps with Fog lights in bumper
Interior:	Fully trimmed with rear mattress
Windscreen:	Laminated & tinted
Windscreen Wipers:	3 windscreen wipers with built in nozzles: 2 speed & intermittent
Rear Vision Mirrors:	Remote control & heated flat main mirror with heated convex spotter
Seating Capacity:	2
Seats:	Driver: ISRI air suspension with auto levelling, height, tilt and dampening adjustment Integral headrest & fabric trim
Passenger:	Fixed base, headrest & fabric trim
Seat belts:	Pretensioner, ELR attached 3 points type, centre lap belt

INSTRUMENTS

Gauges:

- Speedo with Odometer and Dual Trip Meter
- Tachometer
- Fuel Level
- Dual air pressure gauge
- Water temperature meter

Warning Lamps:

- Park Brake
- Exhaust Brake /powertard
- Alternator
- Low Oil Pressure/Oil Filter Blockage
- SRS Air Bag
- Seat Belt
- AMT Oil temp
- Engine check light
- Interaxle diff lock
- Brake air pressure
- Cold start indicator
- Door Open
- Low coolant level
- Cab tilt indicator
- Air filter restriction
- Cruise Control
- ABS/ASR

CAB EQUIPMENT

Exterior:

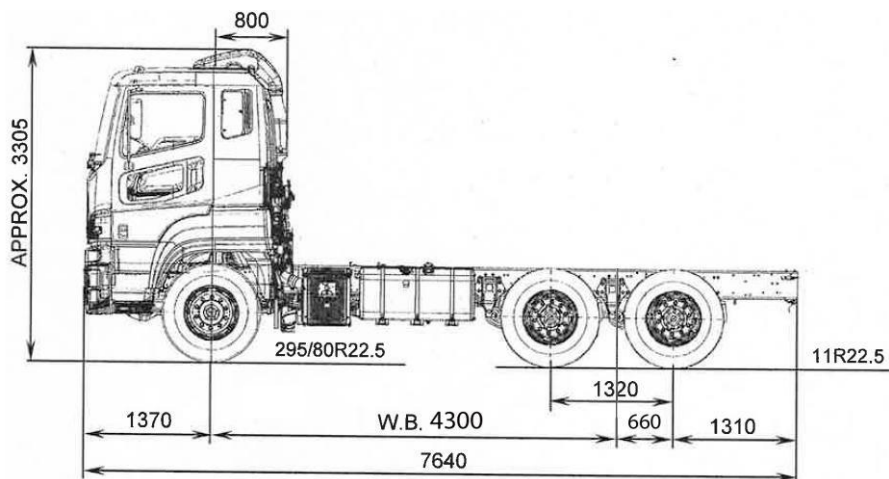
- Lift-up front maintenance panel
- Transom window on LH door
- Roof spoiler mounting points (max weight 50kg)
- Roof mounted white marker lights x2

Interior:

- Fully trimmed.
- Driver's air bag and seat belt pretensioner
- Centre floor console with glove box
- Cup holder for driver
- Large overhead console boxes
- Sun visors x 2
- Interior rear view mirror
- Opening rear quarter windows
- Grab handle on 'A' pillar
- Auto air conditioning with heater/demister
- Central locking and Keyless Entry System
- 6" Touch screen audio with Bluetooth, USB and DVD player with 2nd screen output.
- Engine idle speed control
- Cruise control
- Cold start switch
- Trailer brake hand control
- Hazard warning switch
- Reading lamps
- Tool kit & jack
- Electric Horn
- Fluorescent Cab Lamp

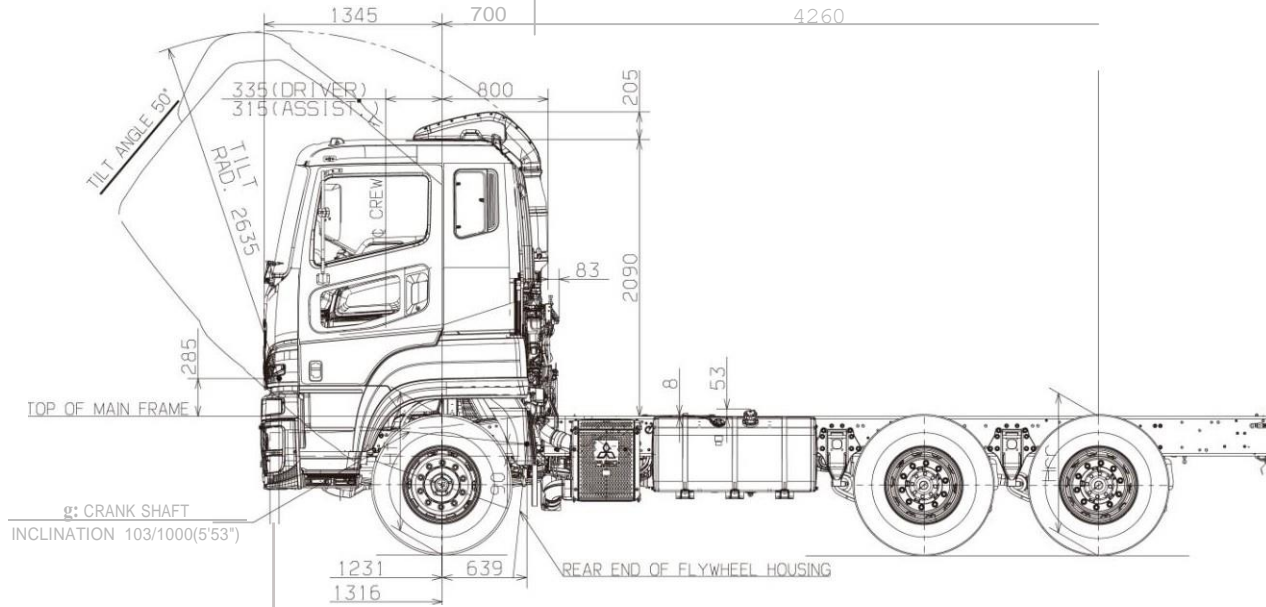
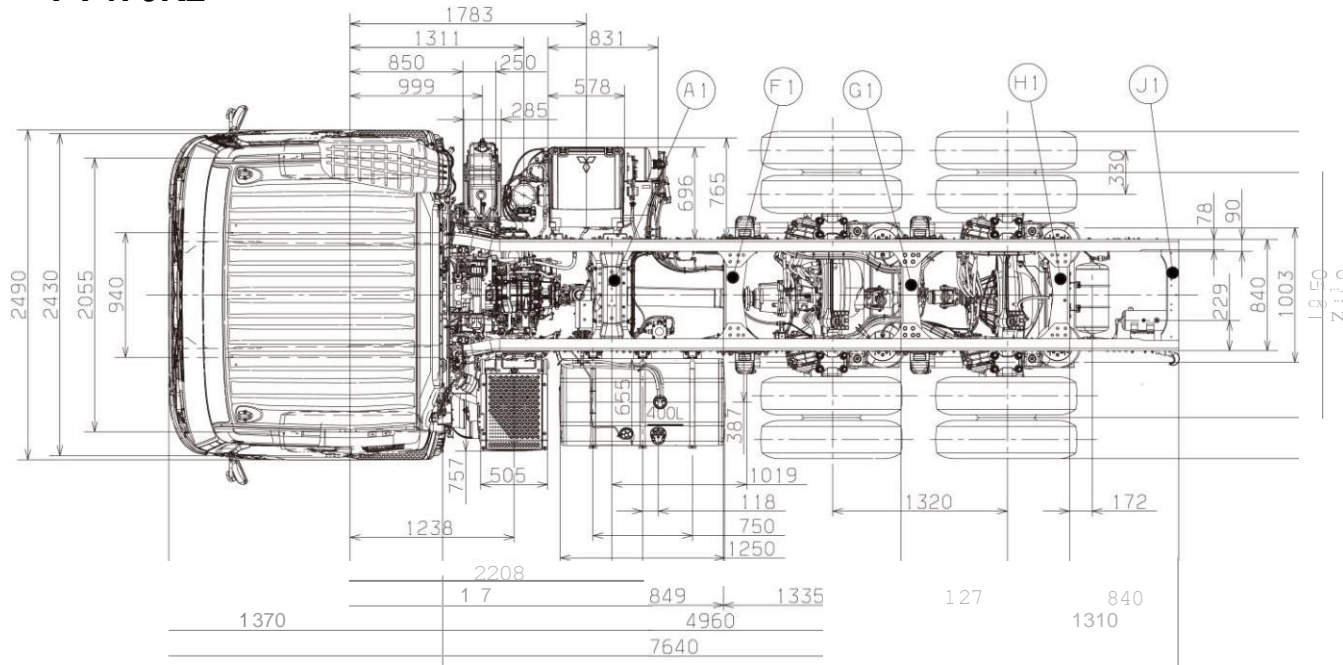
FUSO HEAVY

6x4



10.5 Chassis cab drawings

A FV54SK5VFAA **FV470K2**



TIRE SIZE		FRAME HEIGHT	
FRONT	REAR	Hf	Hrr
295/80R22.5	11R22.5	1002	1033

NOTE. FOR THE DETAILS OF CROSSMEMBERS. SEE ON AILS OF CROSSMEMBERS.

UNIT :mm SCALE : 1/40